

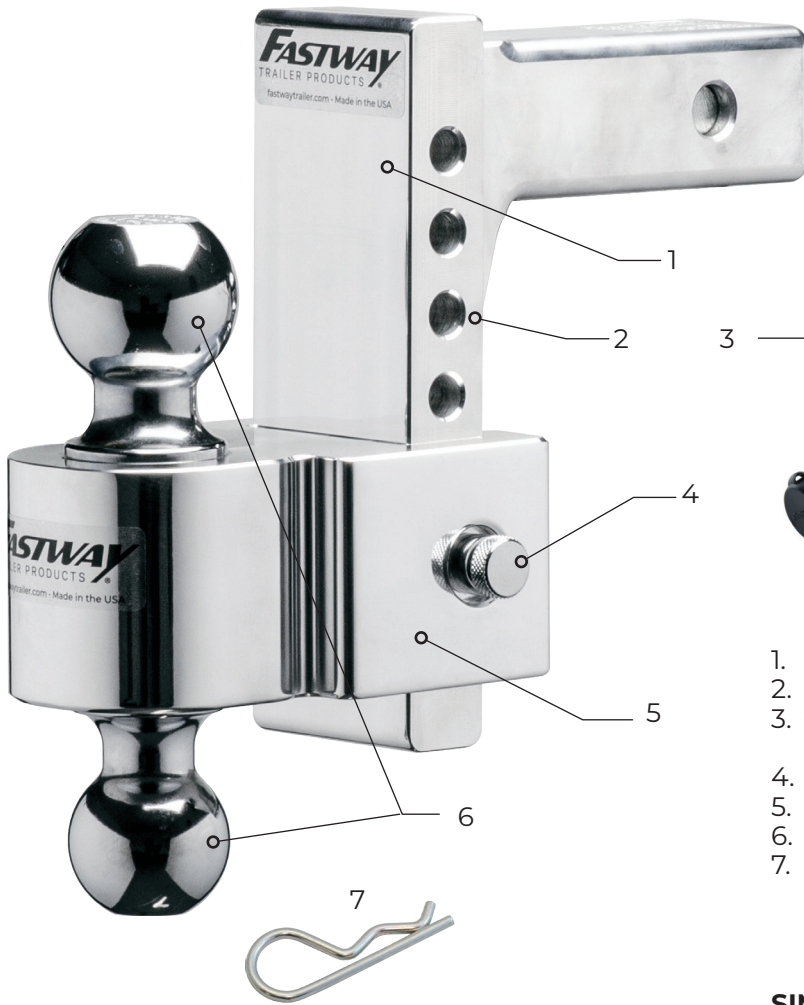


FLASH™

BALL MOUNTS

SIMPLE

SIMPLE HD



Optional locking hitch pin, sold separately:
 2" 86-00-3050
 2 1/2" 86-00-3160

1. Drop bar
2. Height adjustment holes
3. Optional locking pin set (keyed alike hitch pin and ball height adjustment pin)
4. Height adjustment pin
5. Ball holder
6. Dual hitch ball
7. Hairpin clip

Model 42-00-2600 shown

Thank you for purchasing the Fastway® FLASH™ SIMPLE or SIMPLE HD™ ball mount. We are happy to welcome you to our towing family. Read these instructions thoroughly to become familiar with proper set up and maintenance procedures. This will help ensure maximum performance, and years of service.

Keep these instructions in a safe place for future reference or access them online at fastwaytrailer.com/manuals.

SIMPLE

Model	Drop	Rise	Shank
42-00-2400	4"	5"	2"
42-00-2600	6"	7"	2"
42-00-2800	8"	9"	2"
42-00-2900	10"	11"	2"

2" ball 1,000 lb max tongue wt. 8,000 lb max trailer wt.
 2 5/16" ball 1,000 lb max tongue wt. 10,000 lb max trailer wt.

SIMPLE HD

Model	Drop	Rise	Shank
42-00-2625	6"	6"	2 1/2"
42-00-2825	8"	8"	2 1/2"
42-00-2925	10"	10"	2 1/2"

2" ball 1,800 lb max tongue wt. 12,000 lb max trailer wt.
 2 5/16" ball 1,800 lb max tongue wt. 18,000 lb max trailer wt.



⚠️ Warnings

Failure to follow all safety warnings may result in severe injury or death.

- Always load the trailer correctly. Follow trailer and tow vehicle manufacturer's recommendations for placement and quantity of cargo. Tongue weight should be between 10% -15% of gross trailer weight.
- Always use a hitch ball size that correctly matches your trailer coupler size and make sure it is coupled securely before towing.
- Always use an appropriately sized adapter sleeve when using a tow vehicle equipped with a receiver hitch larger than your hitch shank size.
- Check all towing hardware before each trip.
- It is the driver's responsibility to properly install and adjust equipment and adjust driving habits to match towing conditions. The driver is responsible for their own safety and the safety of passengers.
- Never adjust the ball holder height while the ball mount is under load from an attached trailer.
- Never cut, weld, grind, bend, heat, or modify ball mount components in any way.
- Never exceed the specified weight ratings for the trailer, tow vehicle, receiver hitch, ball mount, hitch ball, or any other towing equipment.
- Never impact the ball mount on the ground. Never back into things with your ball mount or attached trailer (i.e. loading docks, curb and gutter, etc.). If your ball mount has been impacted in any way, thoroughly inspect it for damage before towing, and if it is bent or damaged DO NOT tow; replace it.
- Never tow with the ball mount if any part of it shows excessive wear.
- Read, understand, and follow all safety warnings, setup, use, and maintenance instructions of your trailer, tow vehicle, and hitching equipment before installing your FLASH ball mount or towing your trailer.

⚠️ Caution

- Always tow with your hitch ball adjusted to the correct height for the trailer being towed.
- Do not tow your trailer on excessively rough roads.
- Do not tow your trailer through profound ditches or dips where the ball mount could impact the ground.
- Replace all worn, faded, or unreadable warning stickers on the ball mount immediately.

Setting up

1. Park the trailer on a flat surface and chock the tires.
2. Measure from the ground to the frame at both the front and rear of the trailer. Use the tongue jack to adjust until it is level (both front and rear measurements are the same).

3. Check the amount of trailer tongue weight using a tongue scale. 10% to 15% of the gross trailer weight is normal for good tongue weight. Adjust the trailer loading if necessary.
4. Position the tow vehicle in front of the trailer, leaving a few feet of working space between them.
5. Slide the drop bar into the tow vehicle's receiver and pin it into place.
6. Measure from the ground to the bottom of the coupler on the trailer. Rotate the ball holder to use the correct hitch ball for your trailer. Pin the ball holder into place on the drop bar at the same height as the trailer coupler by sliding the pin through the ball holder and drop bar. (Figure 1)

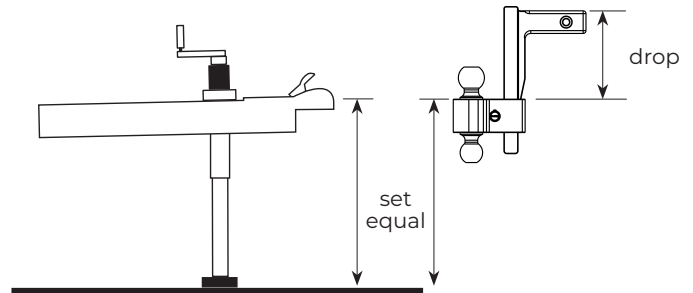


Figure 1

7. You may need to invert the drop bar and use it in the rise position to reach the correct ball height for your trailer.
8. Always pin the ball holder to the drop bar before placing a load on the ball mount.
9. Couple the trailer onto the hitch and retract the trailer jack.
10. With the trailer coupled, measure to the bottom of the coupler again, and compare the second measurement to the first. The difference between these is the distance the ball mount should be adjusted upward to compensate for the drop caused by the trailer's tongue weight.
11. Uncouple the trailer.
12. Remove the pin from the ball holder and drop bar to raise the ball holder to the adjusted towing height and pin it into place. It is best to tow with the trailer as level as possible.
13. Couple the trailer.
14. Repeat this process if the loading of your trailer or tow vehicle changes, or to set the ball mount up for a different tow vehicle and/or trailer.

Stow-Away Feature

The SIMPLE ball mount can rotate under the truck bumper when not in use, protecting your shins and avoiding impact with anything when in reverse.

The following models of the SIMPLE ball mount have Stow-Away capability with most vehicles:

- 6” Standard, and HD Models
- 8” Standard, and HD Models
- 10” Standard, and HD Models

Care and maintenance

Clean - Regularly (at least monthly) remove your ball mount from the receiver and wipe away any moisture and road grime with a soft cloth or compressed air. When cleaning the drop bar and ball holder surfaces, DO NOT use a degreaser or harsh cleaners - mild soap and water is best for aluminum.

If you live in an area where salt and sand are used during winter to treat roadways, remove your FLASH ball mount and store it inside the tow vehicle, instead of in the receiver during winter months. These elements are extremely abrasive and can damage the hand-polished finish of your ball mount.

Lubricate - Always lubricate the hitch ball with heavy, multi-purpose grease or wheel bearing grease. As needed, apply a thin coat of grease/oil to the ball holder and hitch pins to prevent corrosion and binding.

Polish - Maintain the shine of the ball mount by using aluminum wheel cleaner and applying an automobile wax to protect the finish.

Limited 1 year warranty

Do not return this product to the retailer.

For warranty claims or customer support contact Fastway Trailer Products directly weekdays 8:00 AM – 5:00 PM Mountain time at (877)523-9103 or by email at support@fastwaytrailer.com

Fastway Trailer Products warrants the FLASH SIMPLE ball mount, excluding chrome and corrosion, against latent defects in materials and workmanship under normal use and service, to the original owner for a period of 1 year from the first date of purchase at retail up to the value of its original purchase price. Ordinary wear and tear is excepted. If this product is latently defective it will be replaced or repaired when a proper return authorization is obtained and the product is returned with transportation charges prepaid to Fastway Trailer Products.

Fastway Trailer Products shall not be required to replace or repair any products damaged as a result of improper installation, alteration, unreasonable use, or improper maintenance including, without limitation, loading the product beyond the factory rated load capacity.

This warranty does not include labor charges nor does it include transportation charges for returning the product to the consumer. To the extent allowed by law, Fastway Trailer Products shall not be liable for any incidental, consequential, or any other damages including, without limitation, breach of any implied warranty, merchantability, or fitness for a particular purpose of any Fastway product. In no event shall Fastway Trailer Products be liable for any damages other than the replacement or repair of the affected part. Authorization and warranty procedure may be obtained by calling Fastway Trailer Products customer support at (877)523-9103 or support@fastwaytrailer.com.

Find us Online

We would love to connect with you. Find us on these social media platforms.

-  [youtube.com/fastwaytrailer](https://www.youtube.com/fastwaytrailer)
-  [facebook.com/fastwaytrailer](https://www.facebook.com/fastwaytrailer)
- [X.com/fastwaytrailer](https://www.x.com/fastwaytrailer)
-  [instagram.com/fastwaytrailer](https://www.instagram.com/fastwaytrailer)

Visit Fastway® Trailer Products at www.fastwaytrailer.com for faster and easier towing solutions.

Great products make towing faster and easier. Get more info at fastwaytrailer.com

FLIP™

AUTOMATIC
JACK FOOT



Save time and effort by extending your trailer jack by six inches, eliminating 48 cranks in each direction.

ONESTEP™

STABILIZING WHEEL CHOCK



Virtually eliminates unwanted wheel movement providing the most stability for your trailer.

ZIP™

BREAKAWAY
CABLE



Protect your fingers from loose, sharp wire, and provide a safer and more effective connection to your trailer.